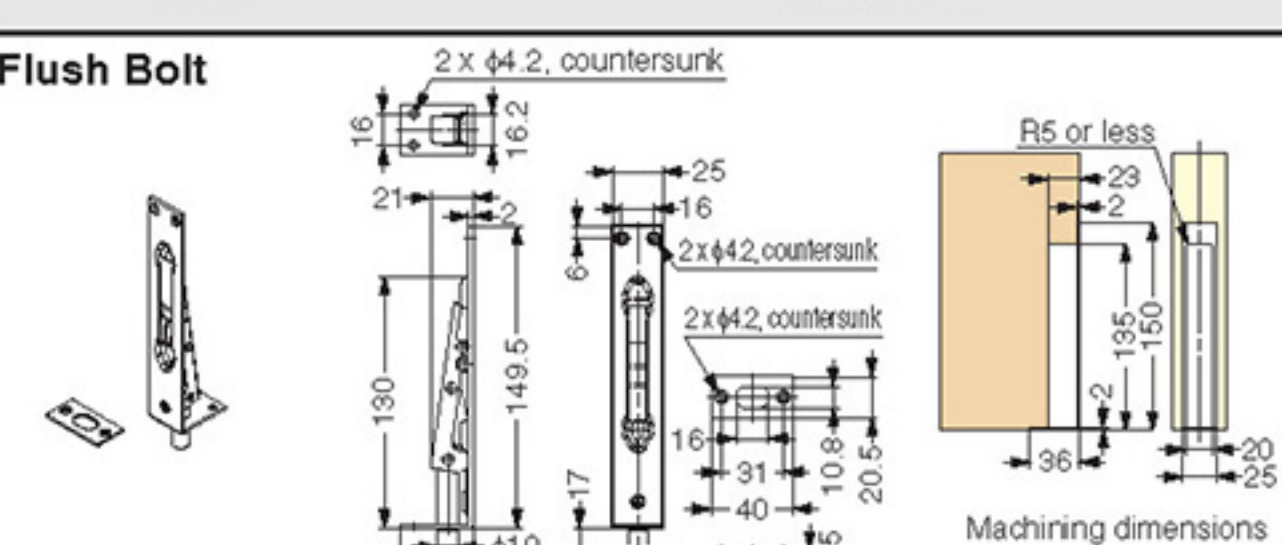





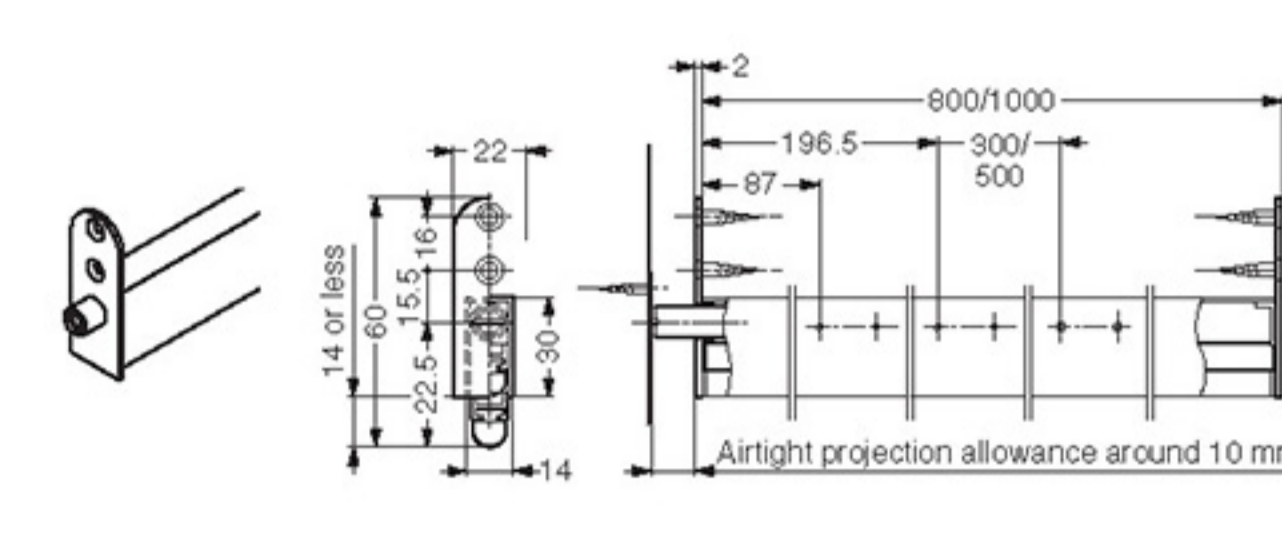

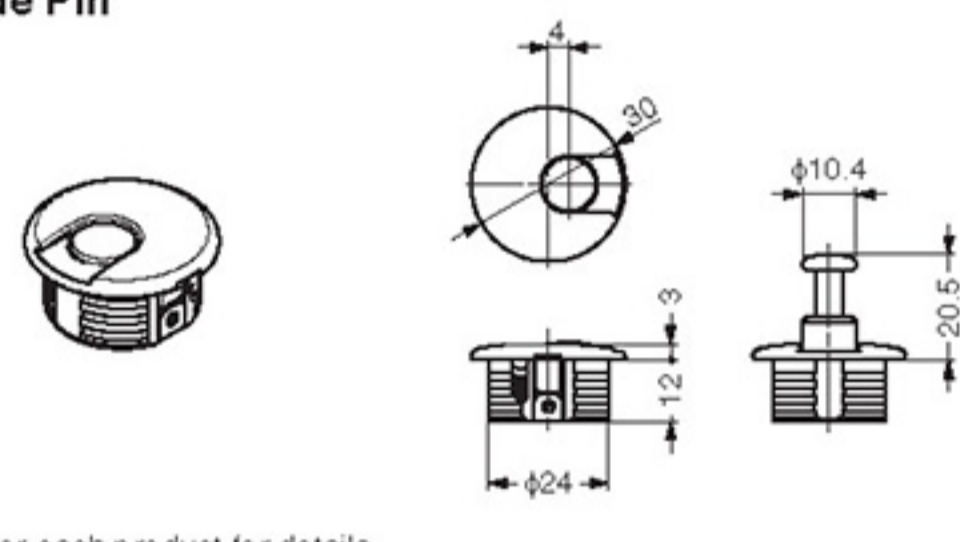

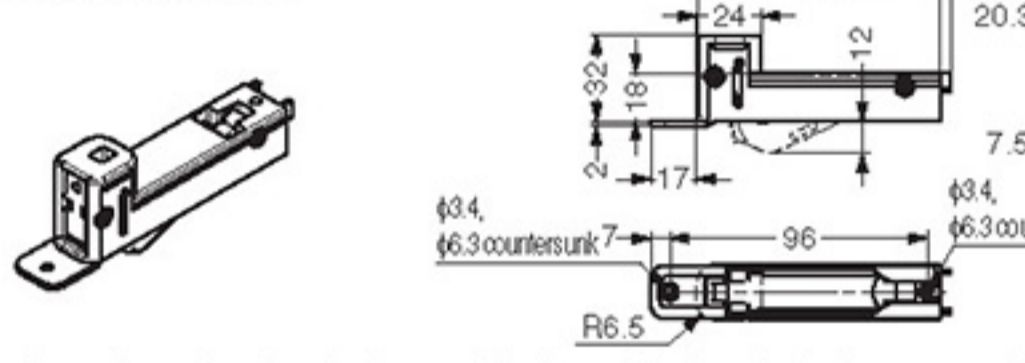







OPTIONAL PARTS TABLE



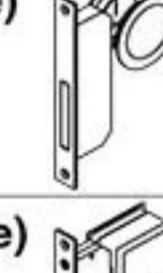



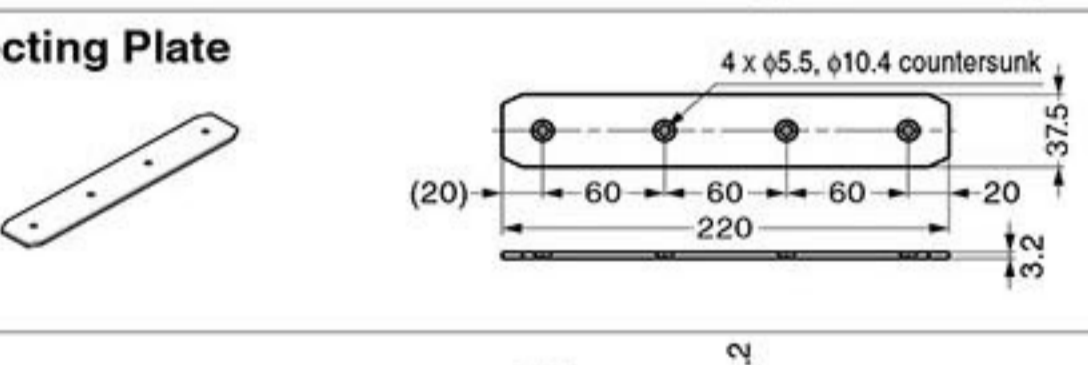

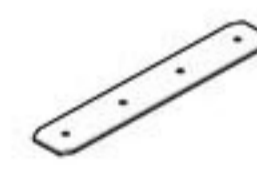













Compatible Products	Name	Dimensions	Specifications	Item Code Item Name	CAD
FDPN 40P FDPN 40V FDP 40P FDP 40V	Flush Bolt 	2 x $\phi 4.2$, countersunk 10, 16.2, 25, 16, 2x $\phi 4.2$, countersunk, 2x $\phi 4.2$, countersunk, 16, 31, 40, 20.5, 17, 14, 130, 149.5, 95.5, $\phi 10$, 2, 23, R5 or less, 2, 165, 180, 20, 20.5	Use this to secure flat partition panels when using them as partitions. • Material: Stainless steel (SUS304) • Finish: Hairline finish Accessories • Strike • Size 3.1 x 20 cross-recessed flat head wood screws (4 pcs) • Size 2.7 x 20 cross-recessed flat head wood screws (2 pcs)	250-024-525 FDP40-DBL150HL	
	Seal 	Length: 2500 mm 17, 12	A seal to cover the area between the panels of a flat partition. • Material: Black: Chloroprene rubber (CR) • White: Ethylene propylene rubber (EPDM) • Colour: Black, white Caution: Use double-sided tape or adhesive when mounting this product to doors.	Black 250-024-526 FDP40-DS P2500BL	
	Seal Guide Rail 	Length: 2500 mm 15, 17	A guide rail for the seal covering the area between the panels of a flat partition. • Material: ABS resin • Colour: Black, white	Black 250-024-527 FDP40-DS PU2500BL	
	Bottom Tightener 	2, 196.5, 800/1000, 300/500, 87, 22, 14 or less, 60, 15.5, 16, 22.5, 22.5, 14, 30, 1.4, 1.4, Airtight projection allowance around 10 mm	Use this to block the gap between flat partition panels and the floor when using them as partitions. The protruding area of the seal can be adjusted according to the dimensions of the gap. Sizes other than those indicated on the right can be made to order (please request a quote). • Material: Aluminium alloy/elastomer • Finish: Silver anodised/black Included screws: Size 3.5 x 20 (4 pcs) and size 3.1 x 16 (2 pcs) cross-recessed flat head tapping screws Caution: When installing this product on the FDP40 or FDP40V flat partition, the ends require notches being cut, holes drilled, and flush bolts attached in addition to cutting. This product cannot be used with doors.	Width: 600 - 800 mm 250-024-528 FDP40-DBT800	
	Lower Guide Pin 	4, 30, $\phi 10.4$, 20.5, 3, 1.2, $\phi 24$, 1.4 or less, 60, 15.5, 16, 22.5, 22.5, 14, 30, 1.4	A lower guide to prevent oscillation in top-hanging sliding doors. Use this for the FDP40P and FDP40V stackable doors. The motion of the door is guided magnetically. This product is recessed in the floor. Distance between floor and door: 10 ± 1 mm • Material: Polyacetal (POM)/steel/zinc alloy (ZDC) • Finish: Colours indicated on the right/Chrome plating/Nickel plating Included screws: Size 3 x 14 cross-recessed pan head tapping screws (2 pcs) Caution: Do not allow wax or other foreign matter to enter the guide pin, as this may cause malfunctions.	Light grey 250-029-828 FD30-MGFP-LGR	
	Magnetic Guide Bracket 	90, 24, 4, 20.3, 32, 18, 2, 17, 7.5, $\phi 3.4$, $\phi 6.3$ countersunk 7, 96, $\phi 3.4$, $\phi 6.3$ countersunk, R6.5	A bracket for the lower guide. The magnet attracts the guide pin. This product is recessed into the bottom of the door. Comes with an automatic magnet height setting function. 2 pcs. • Material: Polyacetal (POM)/neodymium • Finish: Grey/nickel plating Included screws: Size 3 x 12 cross-recessed flat head tapping screws (2 pcs) Caution: 2 pieces (1 set) required for each door.	250-026-500 FD30-MGDB	
	Lower Guide Rail 	20.3, 18	A rail for the lower guide. This product is recessed into the bottom surface of the door. • Material: ABS resin • Colour: Grey Included screws: Size 3 x 16 cross-recessed pan head tapping screws (4 pcs)	Length 1000 mm 250-026-501 FD30-MGDR1000	
Adjustment Spanner (for Lower Guide Pin) 		A tool to adjust the direction of the lower guide pin. Also compatible with the Z059 dedicated tool. • Material: Steel • Finish: Chromate finish	250-022-252 FD80-HHSP		



ARCHITECTURAL DOOR HARDWARE

STACKABLE PARTITION DOOR SYSTEM

OPTIONAL PARTS TABLE

Compatible Products	Name	Dimensions	Specifications	Item Code Item Name	CAD
FDPN 40P FDPN 40V FDP 40P FDP 40V	3-Way Adjustable Concealed Hinge 		A three-way adjustable concealed hinge. Enables easy alignment of the joint. The unique linking structure reduces dead space when doors or panels are stacked. • Material: Steel/polyacetal (POM)/aluminium alloy • Finish: Nickel plating/grey/silver - anodised Installation screws included	170-020-804 HES3D-V135LGR	
	Magnetic Latch Handle (Flat Round Type) 		• Material: Zinc alloy/stainless steel • Finish: Satin nickel plating/satin finish Installation screws included	260-024-534 MLH-SN	
	Magnetic Latch Handle (Flat Square Type) 		• Material: Zinc alloy/stainless steel • Finish: Satin nickel plating/satin finish Installation screws included	260-028-998 MLHS-SN	
	Door Stopper for Opening Door 	3 x $\phi 5$, $\phi 8.5$ countersunk, R3, 4.6, 36, 52, 37, 8.8, 2, 32, 2	A door stopper for the opening door of a flat partition. Attaches to the top of the leading edge of the opening door. This product absorbs impact when the door is opened and closed, keeping it aligned with the panels. • Material: Stainless steel/polyurethane (PUR) • Finish: Gloss barrel polished/clear Included screws: Size 4 x 25 cross-recessed flat head tapping screws (3 pcs)	250-024-535 FDP40V-DTST	
	Rail Connecting Plate 	4 x $\phi 5.5$, $\phi 10.4$ countersunk, 37.5, 60, 60, 60, 20, 220, 3.2, 3.2, (20)	Use this to connect the upper track to the stacking rail or corner rail, or to connect multiple upper tracks. Insert this product into the upper groove of the rail, align the holes with those of the rail and secure with the included screws. One piece is included with stacking rails and corner rails. • Material: Steel (SPCC) • Finish: Gloss chromate finish Included screws: Size 4 x 40 cross-recessed flat head tapping screws (4 pcs)	250-025-761 FDP40-TRMS-CP	
	Stopper 	37.5, 3.2, 30, 16, 10, 12, 22.8, 20, 29.6, 14.6, 2 x $\phi 5.5$, $\phi 10.4$ countersunk, M4	• Material: Steel (SPCC)/styrene butadiene rubber (SBR) • Finish: Gloss chromate finish/black Purpose: Use as a stopper at the rail centre. Included screws • Size 4 x 40 cross-recessed flat head tapping screws (2 pcs) • Size M4 x 5 cross-recessed flat head tapping screw (1 pc) *Use when using with the end plate	250-029-719 FDP40-STP	
	End Plate 	15, 20.5, 0.8, 4.2 x 5 oval holes, 43, 35.6	• Material: Steel (SECC) • Finish: Baked enamel finish Purpose: To cover the rail when recessed. Caution: This product cannot be used as a stopper at the rail end. Included screws • Size 4 x 30 cross-recessed binding head tapping screw (1 pc)	Silver 250-029-723 FDP40-TREP-SL	
	End Stopper for Upper Track 	43, 37.5, 35.6, 30, 16, 3.2, 12, 22.8, 20, 30, 0.8, 2 x $\phi 5.5$, $\phi 10.4$ countersunk, 20, 30, 15	• Parts Stopper + End Plate Included screws • Size 4 x 40 cross-recessed flat head tapping screws (2 pcs) • Size M4 x 5 cross-recessed binding screws Use: For use at the end of rails and perpendicular stacking rails.	Silver 250-029-776 FDP40-ESTP-SL	
	End Stopper for Parallel Stacking Panels 	43, 37.5, 35.6, 30, 16, 3.2, 12, 22.8, 20, 30, 0.8, 2 x $\phi 5.5$, $\phi 10.4$ countersunk, 20, 30, 15	• Parts Stopper + End Plate + Upper Track (60 mm) Included screws • Size 4 x 40 cross-recessed flat head tapping screws (2 pcs) • Size M4 x 5 cross-recessed binding screws Use: For connection to the stacking end of parallel stacking rails.	Silver 250-029-773 FDP40P-ESTP-SL	
	Recessed Pull 	13.5, 30 - 40, 1.8, 30, 40, 135, 31.5, 70, 26, 5, 125, 114, 5.5, 1.4, 9.5, 5, 20	• Main material: Zinc alloy (ZDC) Included screws • Size M4 x 25 cross-recessed round flat head screws	Satin nickel plating 100-010-096 HH-P135SN	
			Chrome plating 100-010-097 HH-P135CR		
			Dull chrome plating 100-010-098 HH-P135DC		



ARCHITECTURAL DOOR HARDWARE

STACKABLE PARTITION DOOR SYSTEM